

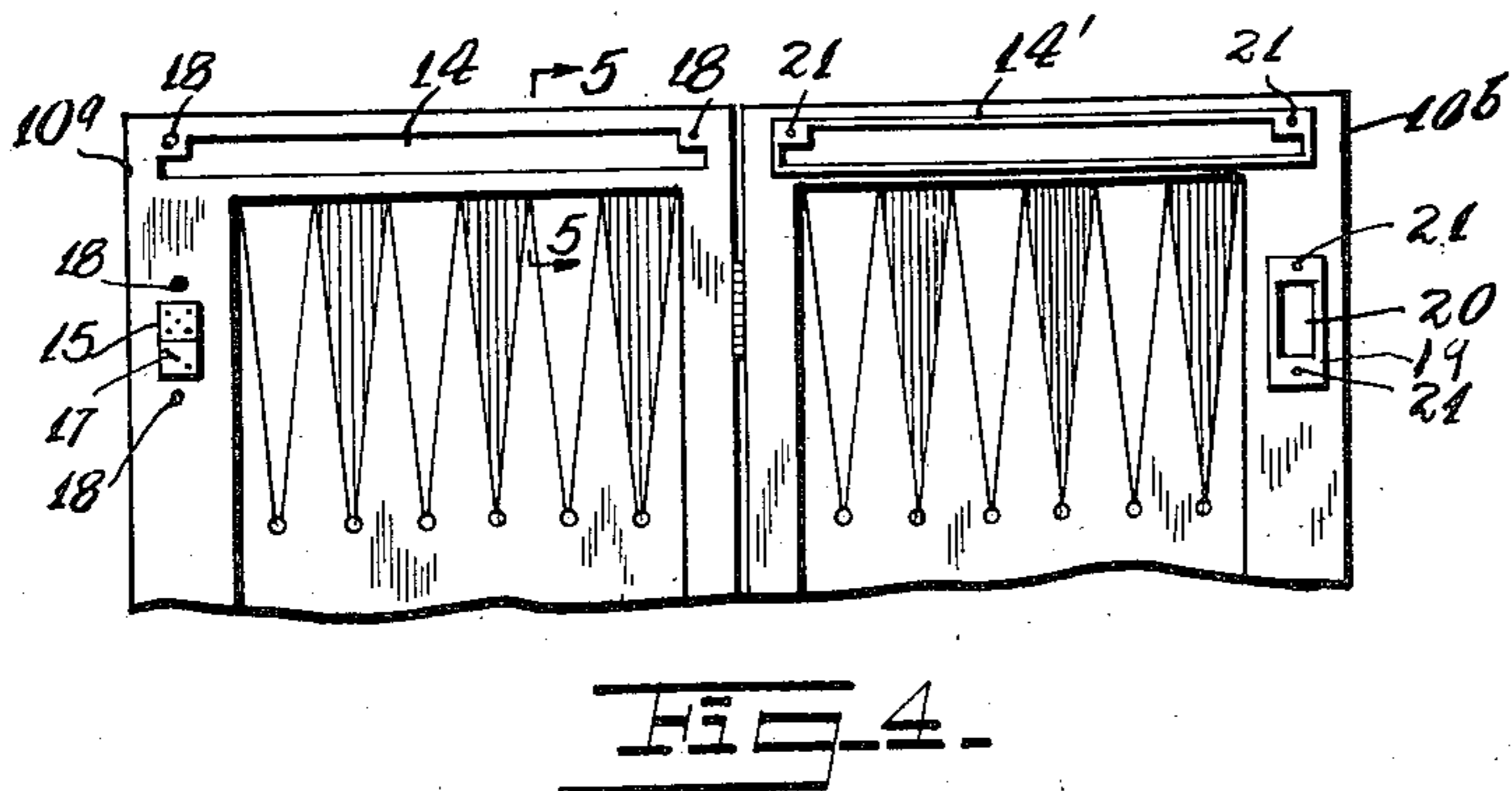
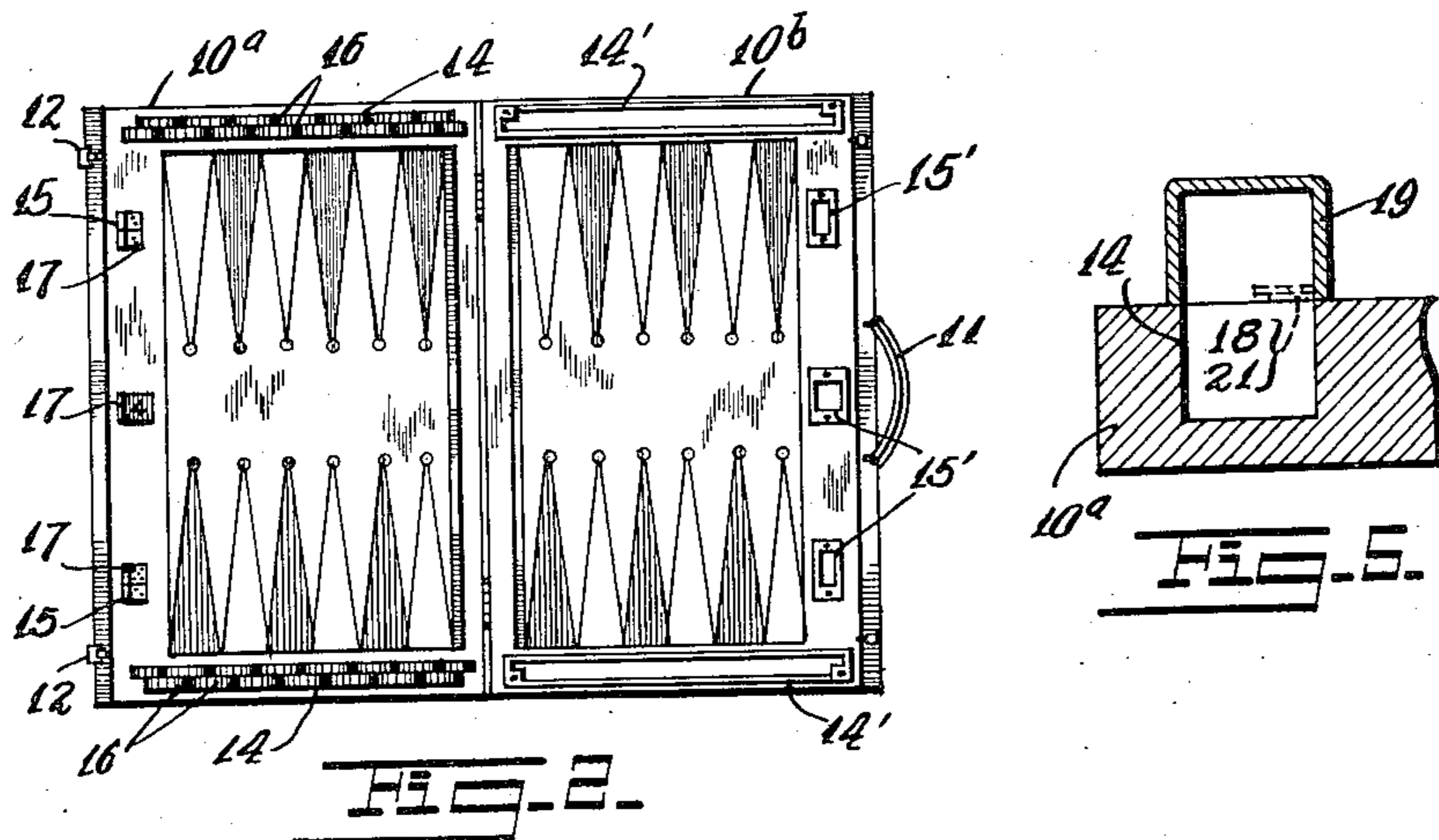
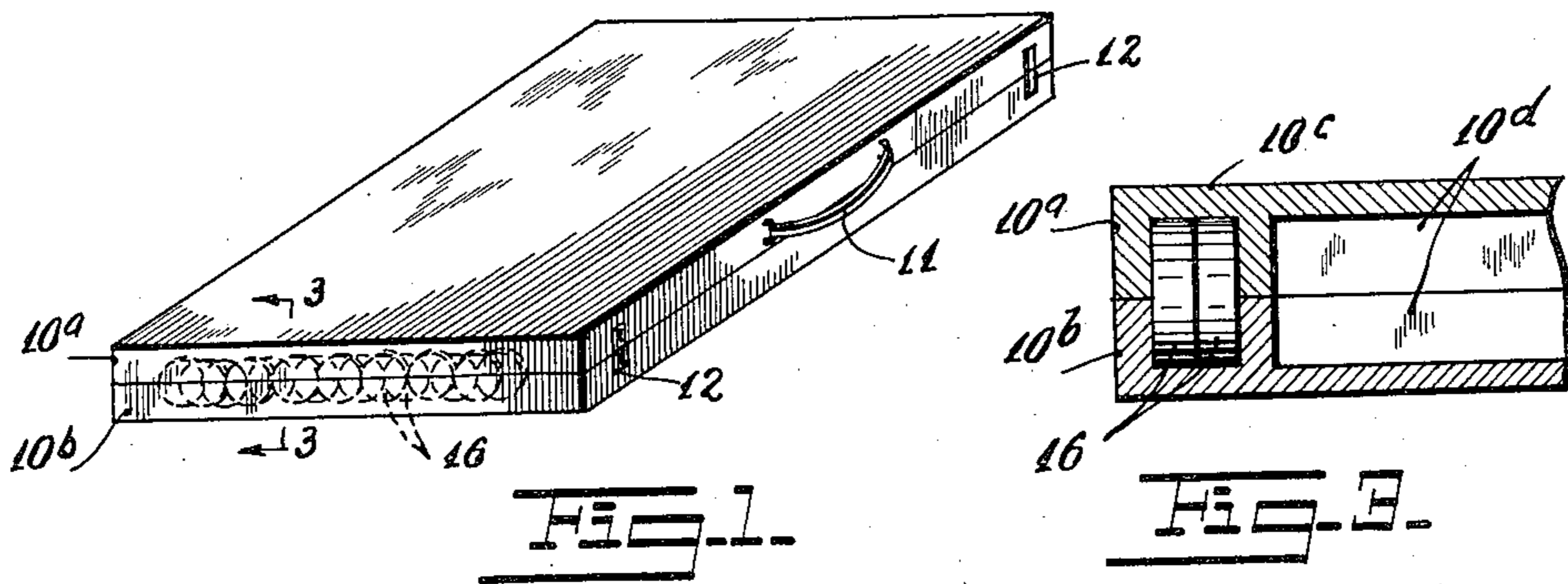
Aug. 20, 1935.

A. POPPER

2,012,140

BACKGAMMON GAME OUTFIT

Filed Oct. 24, 1934



INVENTOR  
ARTHUR POPPER  
BY *Colton H. Polach*  
ATTORNEY

# UNITED STATES PATENT OFFICE

2,012,140

## BACKGAMMON GAME OUTFIT

Arthur Popper, New York, N. Y.

Application October 24, 1934, Serial No. 749,695

5 Claims. (Cl. 273-136)

This invention relates to new and useful improvements in a game outfit.

The invention has for an object the construction of a game outfit having a game board including a pair of board sections hingedly connected at one of their edges and characterized by the provision of cavities on each of the sections aligned with each other when the sections are closed for holding equipment for the playing of the game.

More particularly, the invention proposes providing the board sections with frames and to form said cavities within said frame.

Another one of the objects of this invention is to equally arrange the depths of the cavities in each of the sections to correspond with substantially one-half of the height of the equipment intended to be disposed within the cavities, so that when the equipment is stored it will extend equally into each of the aligned cavities.

Still further the invention also contemplates the provision of containers open at the top and adapted to assume positions in the cavities of one board section and capable of engaging over the equipment and the other cavities of the board sections to cover the equipment, irrespective of the open or closed position of the game board.

Still further the invention proposes the construction of a device of the class mentioned which is simple and durable and which can be manufactured and sold at a reasonable cost.

For further comprehension of the invention, and of the objects and advantages thereof, reference will be had to the following description and accompanying drawing, and to the appended claims in which the various novel features of the invention are more particularly set forth.

In the accompanying drawing forming a material part of this disclosure:—

Fig. 1 is a perspective view of a game outfit constructed according to this invention, and shown in the closed position.

Fig. 2 is a plan view of Fig. 1 showing the game outfit in an open position.

Fig. 3 is a fragmentary sectional view taken on the line 3—3 of Fig. 1.

Fig. 4 is a fragmentary plan view similar to the upper end of Fig. 2 but illustrating a modification of the invention.

Fig. 5 is a fragmentary sectional view as though taken on the line 5—5 of Fig. 4, but illustrating the container in its closed position.

The game outfit, according to this invention, includes a game board consisting of board sections 10<sup>a</sup> and 10<sup>b</sup> hingedly connected at one of

their edges so as to be capable of assuming a closed position as shown in Fig. 1, or to be pivoted to an open position as shown in Fig. 2. One of the board sections is provided with a handle 11 by which the device may be conveniently carried, when in the closed position. Several latches 12 are arranged upon the edges of the sections in such a manner that they may be closed for holding the board in the closed position. The board sections preferably should include a frame 10<sup>c</sup> extended around the periphery. The interior 10<sup>d</sup> of the board may be of a number of layers of material or may be hollow, or any other desirable construction.

The feature of this invention is the provision of cavities 14, 15, etc., on one of the board sections and in alignment with corresponding cavities 14', 15', etc. on the other board section. These cavities are formed on adjacent faces of the board sections, in the closed position, and are of equal depth having a total height substantially equal to the thickness of the equipment intended to be stored in these cavities. The cavities are arranged in the framework 10<sup>c</sup> of the board sections. The cavities 14 are arranged at the sides of the board sections and are adapted to hold, and store, checkers 16. Preferably, these checkers should be arranged with the white ones at one side and the black ones at the other side, as clearly illustrated in Fig. 2. The cavities 15 and 15' are adapted to hold the dice 17, which is also equipment for the playing of the game. In Fig. 3 the board sections are shown closed, and it should be noted that the equipment 16 extends equally into each of the cavities of the sections.

The feature of housing the equipment of the game outfit in the boards lies in the fact that then the nuisance of having a foreign box is avoided. The game is then one compact unit and may be sold in this manner.

In Figs. 4 and 5, a modification of the invention has been shown in which provision is made for holding the equipment upon one of the board sections to avoid a possibility of spilling the equipment when the board sections are opened. More particularly, the board section 10<sup>a</sup> is formed with the cavities 14, 15, etc., previously described. Adjacent these cavities there are snap fastener elements 18. In the cavities 14', 15', etc. of the board section 10<sup>b</sup>, there are positioned containers 19, 20, etc., which are open at the top and which are provided with small flanges upon which there are mounted complementary snap fastener elements 21. These complementary snap fas-

tener elements are adapted to co-act with the elements 18 for holding the container in position upon the board section 10<sup>a</sup>.

In the form of the invention illustrated in Figs. 4 and 5, the equipment may be stored in the cavities of the board section 10<sup>a</sup> and in the containers 19, 20, etc., of the board section 10<sup>b</sup>. These containers are removable from the cavities of the board section 10<sup>b</sup> and may assume independent positions over the cavities of the board section 10<sup>a</sup>. This is indicated in Fig. 5. With this arrangement the board sections may be opened, but the equipment will be held against accidental displacement. The containers may be pulled free from the board section 10<sup>a</sup> and placed in the cavities of the board section 10<sup>b</sup> during the playing of the game.

While I have illustrated and described the preferred embodiment of my invention, it is to be understood that I do not limit myself to the precise construction herein disclosed and the right is reserved to all changes and modifications coming within the scope of the invention as defined in the appended claims.

Having thus described my invention, what I claim as new, and desire to secure by United States Letter Patent is:—

1. In a game outfit, a game board including pairs of board sections hingedly connected on one of their edges and having cavities on each of the sections aligned when the sections are in closed positions, removable containers within said cavities for the purpose of storing and holding equipment to be used in the playing of the game, and equipment for playing the game housed in said cavities.

2. In a game outfit, a game board including pairs of board sections hingedly connected on one of their edges and having cavities on each of the sections aligned when the sections are in closed positions, removable containers within said cavities for the purpose of storing and hold-

ing equipment to be used in the playing of the game, equipment for playing the game housed in said cavities, and means for releasably holding the containers in one of the sections over cavities in the other of said sections.

3. In a game outfit, a game board including a pair of board sections hingedly connected at one of their edges and having cavities in each of the sections and aligned with each other when the sections are in the closed positions, containers with open tops in the cavities of one of the sections, means for releasably connecting said containers over the cavities in the other of the sections, and equipment for playing the game housed in said cavities and containers.

4. In a game outfit, a game board including a pair of board sections hingedly connected at one of their edges and having cavities in each of the sections and aligned with each other when the sections are in the closed positions, containers with open tops in the cavities of one of the sections, means for releasably connecting said containers over the cavities in the other of the sections, and equipment for playing the game housed in said cavities and containers, said means for holding the containers comprising snap fastener elements on one of the board sections engageable with complementary snap fastener elements upon said containers.

5. In a game outfit, a game board including a pair of board sections hingedly connected at one of their edges and having cavities in each of the sections and aligned with each other when the sections are in the closed positions, containers with open tops in the cavities of one of the sections, means for releasably connecting said containers over the cavities in the other of the sections, and equipment for playing the game housed in said cavities and containers, said containers being separate from the board section and adapted to be removed from the cavities.

ARTHUR POPPER.